

Plug Load Controller

SPECIFICATION

The Enlighted Plug Load Controller transforms receptacles in 20A circuits to controlled and metered smart receptacles for energy-efficient and code-compliant plug load control.



OVERVIEW

The Plug Load Controller enables energy savings by controlling plug loads through occupancy or schedule-based on/off control of receptacles on a circuit. The device is paired with a sensor or a group of sensors in the network to enable occupancy-based control. The controller features two sets of wires to separately power controlled and uncontrolled outlets, so that energy consumption on both uncontrolled and controlled circuits are separately measured.

FEATURES

Simplified Plug Load Control Management

- Easily configure and manage plug load behavior by adjusting software profiles for individual plug load controllers via the Energy Manager™
- Generate reports on outlet outages, carbon reduction, energy and financial savings
- Control capability is up to 20A
- Supports overrides for Demand Response or holiday events

Power Metering

- Utility grade metering chip measures controlled and uncontrolled circuits simultaneously

Standards-Based Communications Protocols

- Use of industry standard communication protocols provides robust and mature capabilities

Data Security

- AES 128-bit encryption for wireless data transmission
- SSL encryption for TCP/IP data transmission
- Password protected access control

Energy Utilization

- Group circuits or functional loads for coordinated control of plug loads
- Configurable with Energy Manager for scheduled or occupancy-based control
- Gain visibility into historical usage patterns with reporting and trending capabilities in Energy Manager

The Enlighted Plug Load Controller

L	3.74"	95mm
W	1.65"	42mm
H	1.22"	31mm
Weight	5.6 oz	0.16 kg

ENLIGHTED SPECIFICATION SUBMITTAL

Job Name:

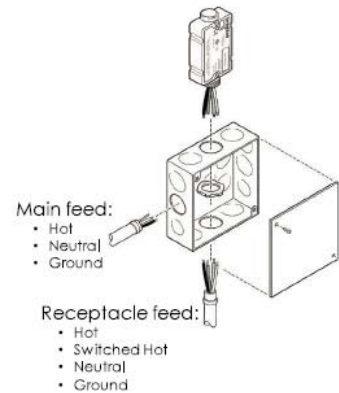
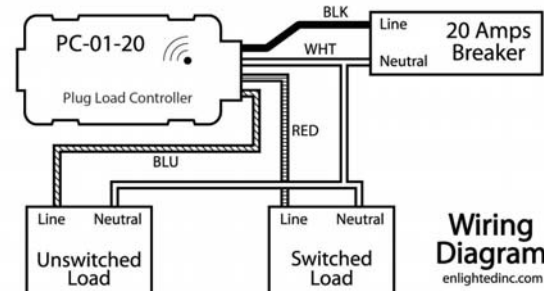
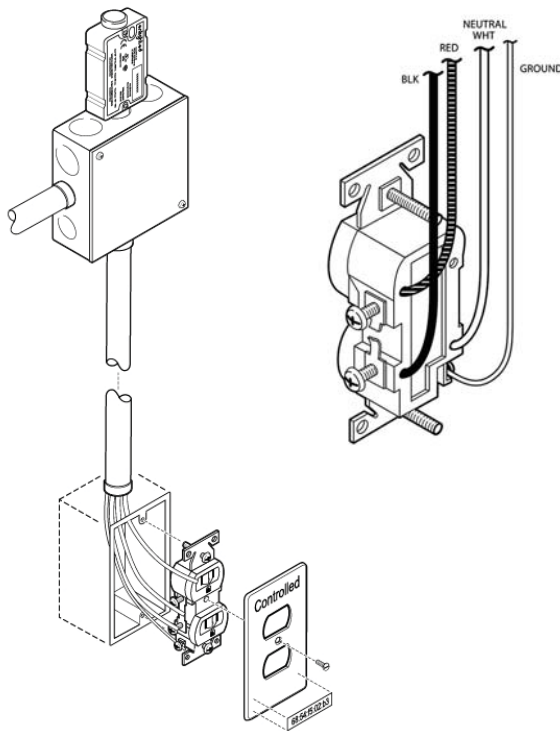
Job Number:

Model Numbers:

 PC-01-20

Plug Load Controller

WIRING AND INSTALLATION DIAGRAMS



TECHNICAL SPECIFICATIONS

Input Voltage: 120 VAC
 Input Frequency: 50/60 Hz
 Operating: 0° to 40° C
 Radio Frequency: 2400–2483.5 MHz
 Wireless Protocol: IEEE 802.15.4
 Wireless Range: 150 ft. radius (46m) open field
 Maximum Output Current: 20A

ORDERING INFORMATION

PC-01-20 Plug Load Controller

COMPLIANCE

Europe RoHS

United States

Canada

Warranty: 3 years